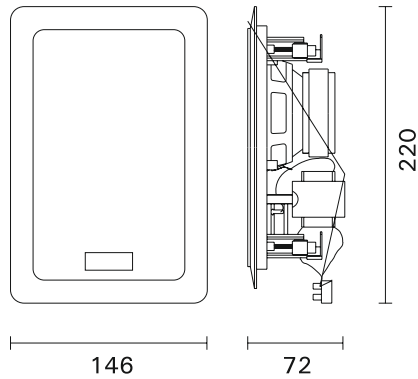




DESCRIPTION

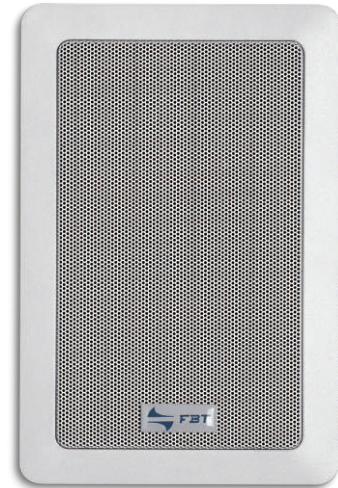
The IW 100T ceiling speaker is entirely made of ABS. A particular mounting system allows a simple and quick false-ceiling mounting.

OVERALL DIMENSIONS



IW 100T

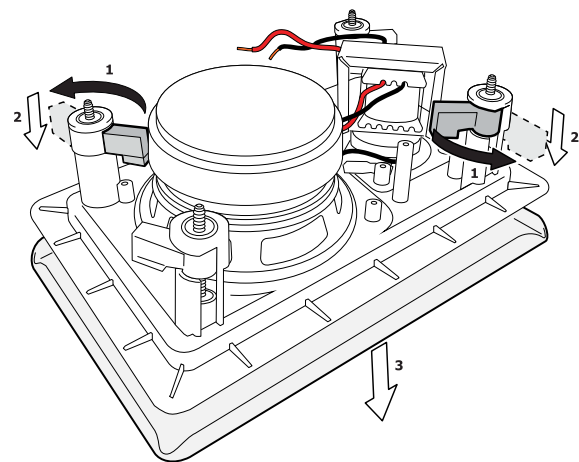
ABS SURFACE MOUNTING
CEILING LOUDSPEAKER



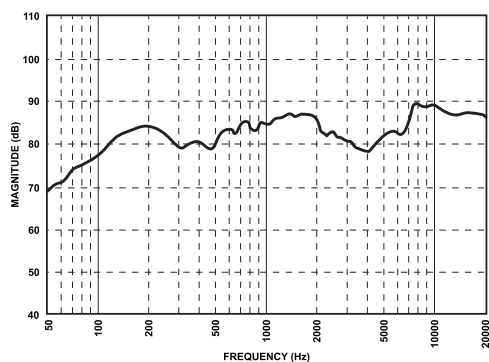
TECHNICAL DATA

Rated power	10W
Adjustable power	no
Line voltage	100V
Frequency response	120 ÷ 20.000Hz
Efficiency (1W, 1m)	88dB ±3dB
Material	ABS
Colour	white
Hole for mounting	193 x 118mm
Dimensions (W x H x D)	222 x 148 x 68 mm
Weight	1,3kg

MOUNTING SYSTEM



FREQUENCY RESPONSE



POLAR DIAGRAM

